

TRANSPORT PLATFORM A42



SPECIFICATIONS

Load Capacity	4000 lb
Lifting Speed	40 ft./min (Transport Platform) 80 ft./min (Material Only)
Passengers	10 people
Platform Dimensions	4' 7 1/8" W x 13' 11 3/8" L
Drive Motor	35 HP (26 kW)
Uploading Ramp	Standard Ramp: 4' 6" Model 830 Ramp: 9' 6"
Power Supply	480V, 3 phase, 60Hz
No. of Motors	2 x 10HP
Full Load Current	35 AMP
Base Unit Weight Including Platform	4806 lb
Load Platform Weight	Half Platform: 375 lb Full Platform: 617 lb
Maximum Mast Height	300' (100m)
Length of Mast Section	4'11" (1.5m) with captured nuts and bolts
Weight of Mast Section	121 lb (55kg)
Wall Tiles	Adjustable Scaffolding tubes & special bracket
Wall Tie intervals	Maximum 33 ft. (10m)
Safety Overspeed Device	Centrifugally Actuated Overspeed Brake
Safety Trigger Speed	131 fpm (40 mpm)
Emergency Lowering	Manual Brake Release
Safety Stop	10' (3M) Above Ground w/ Alarm Bell

STANDARD FEATURES

- Overspeed Safety Device
- Manufactured Anchor Points
- Overload Protection
- On Board Diagnostic System
- Auto Lubrication System
- Full Capacity Load Ramps
- Emergency Lowering Device

OPTIONAL FEATURES

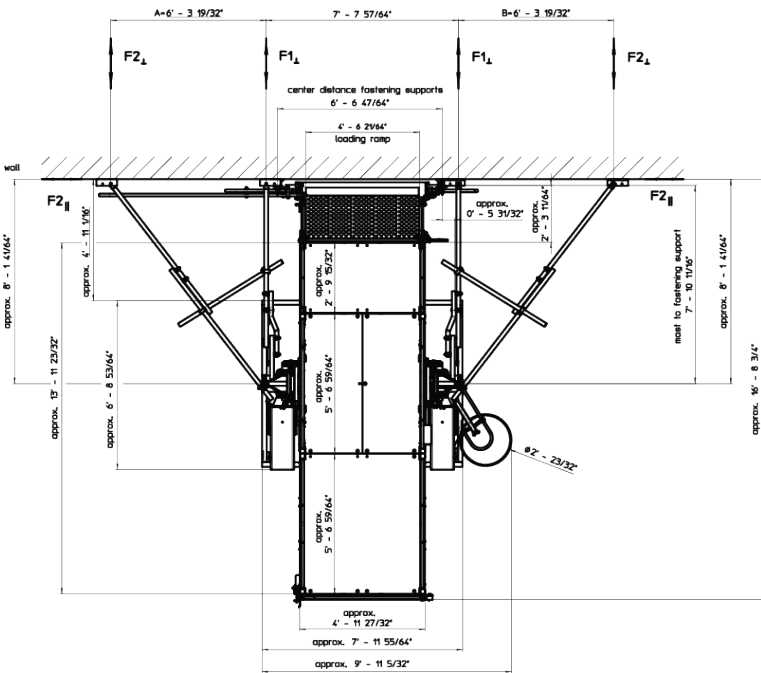
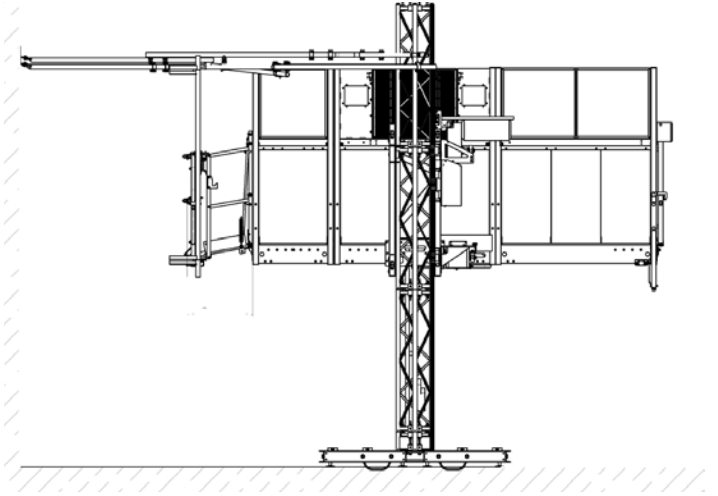
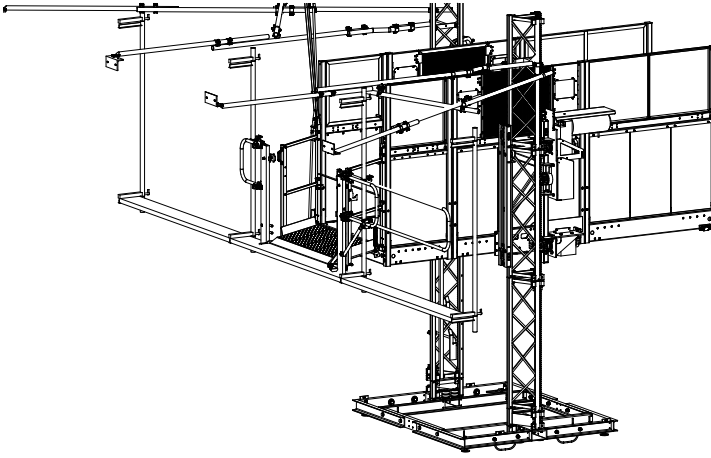
- Roof
- Gin Pole
- Lighting
- Landing Gates
- Installation Platform
- Base Barrier
- Anti-Collision Pressure Plate



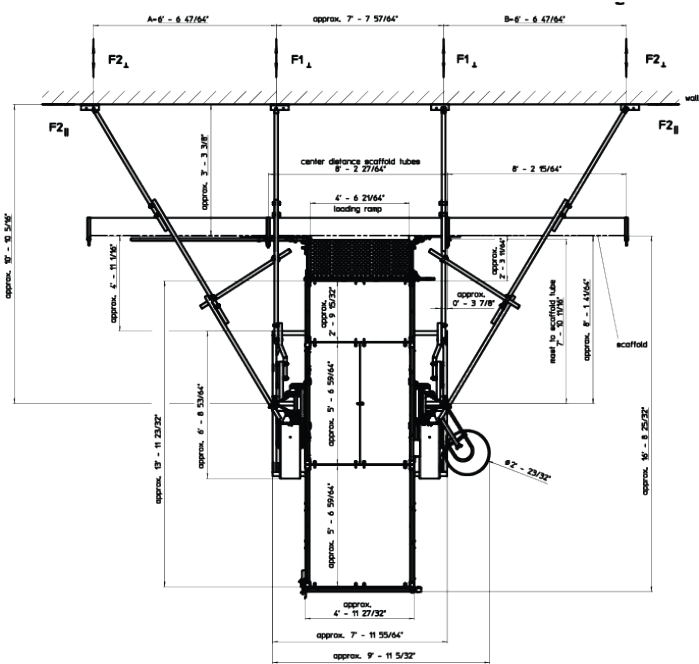
McDONOUGH[®]
Elevators

1.800.736.0882
www.mcdelevators.com

A42 Transport Platform | 4,400 lb



Installation in front of wall



Installation in front of scaffolding



Atlanta | Baltimore | Denver | Houston | Kansas City | Los Angeles | Tampa